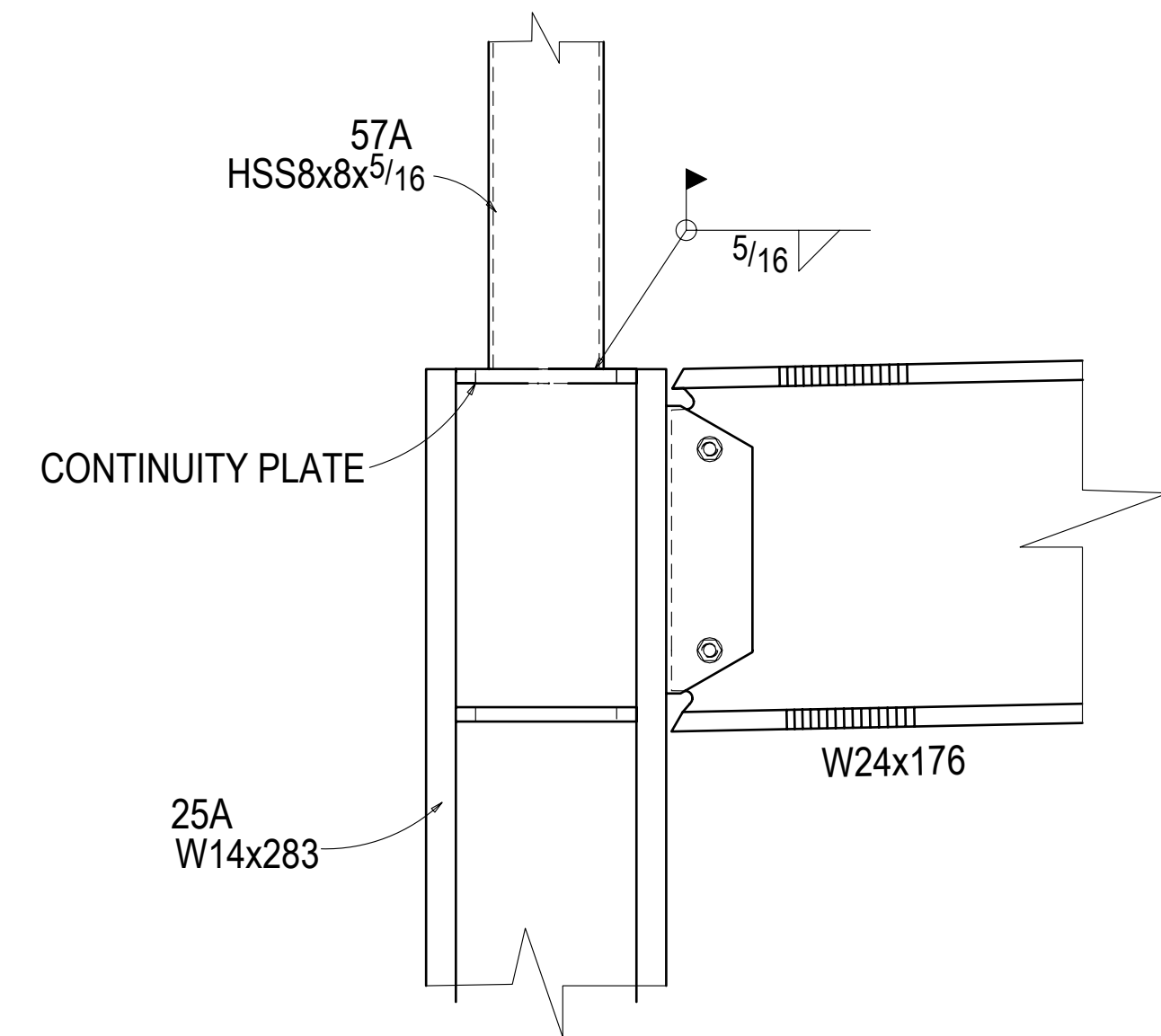
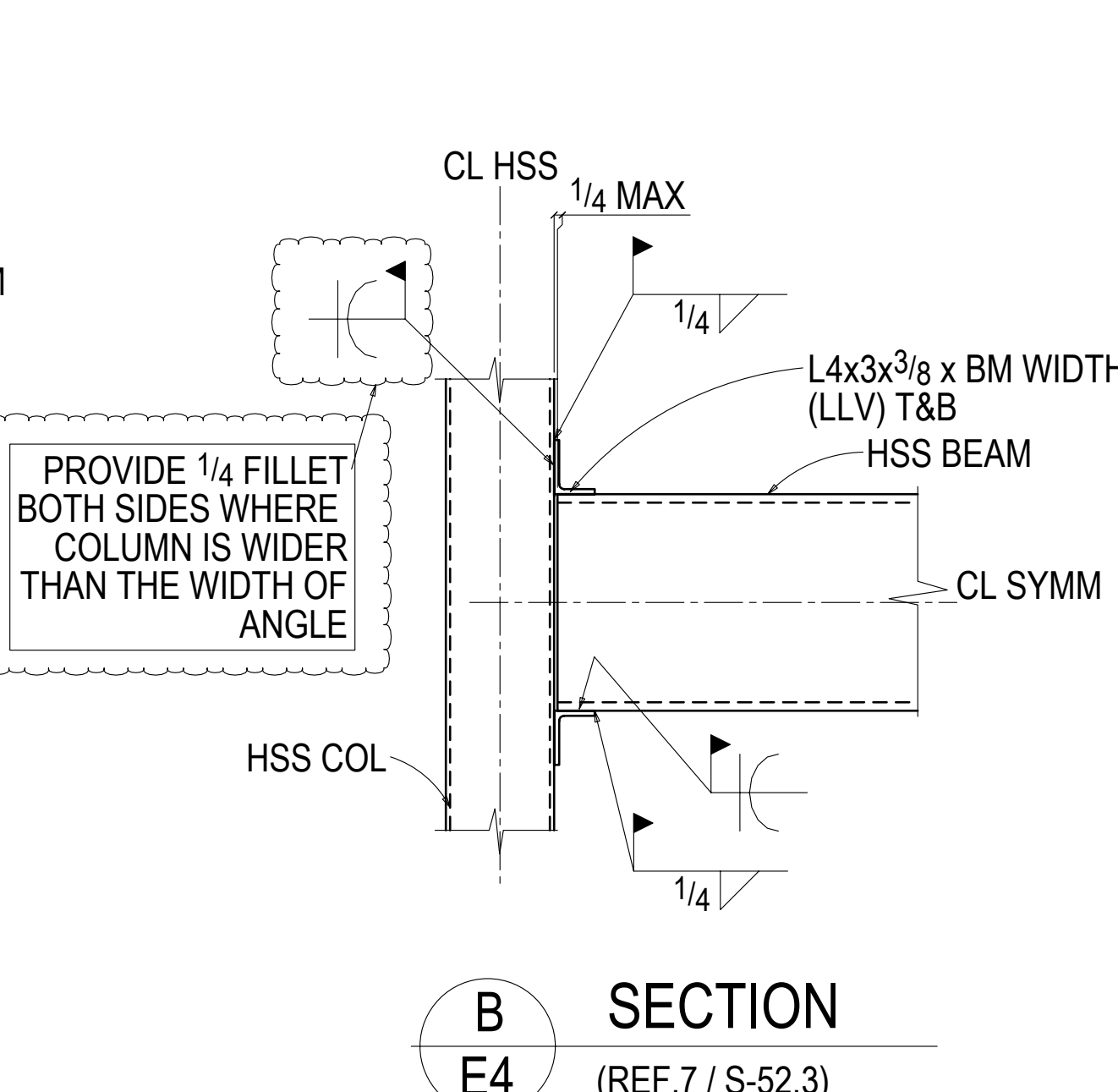


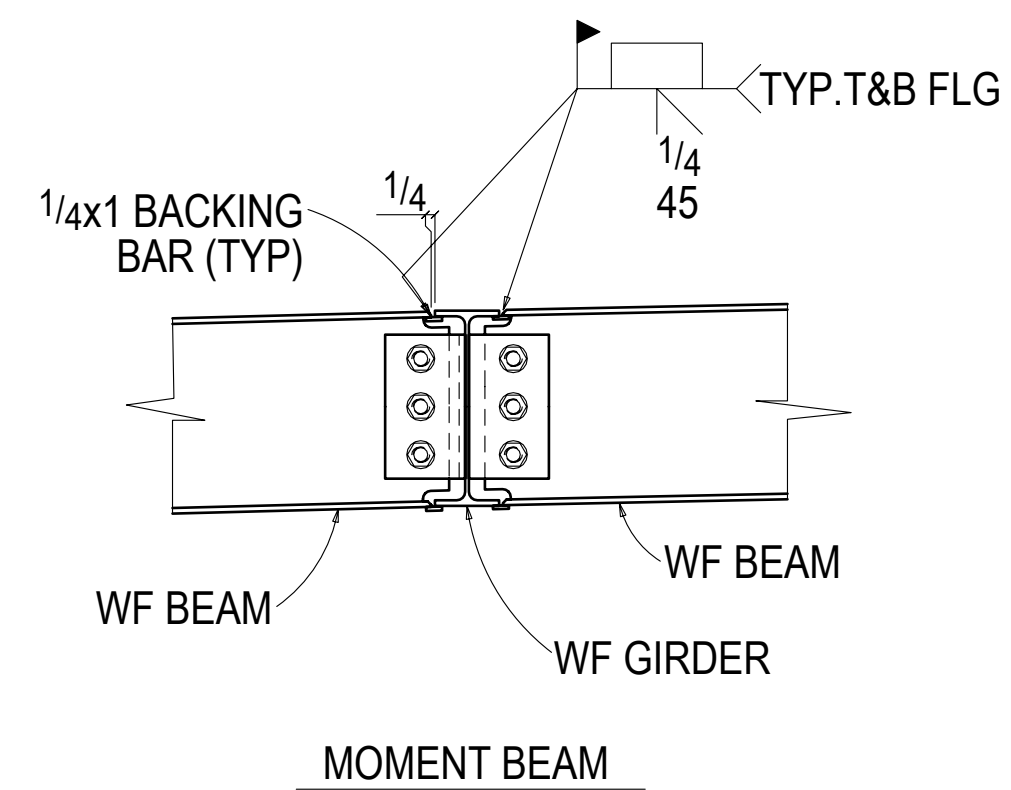
A SECTION
E4 (REF.5 / S-54.1)



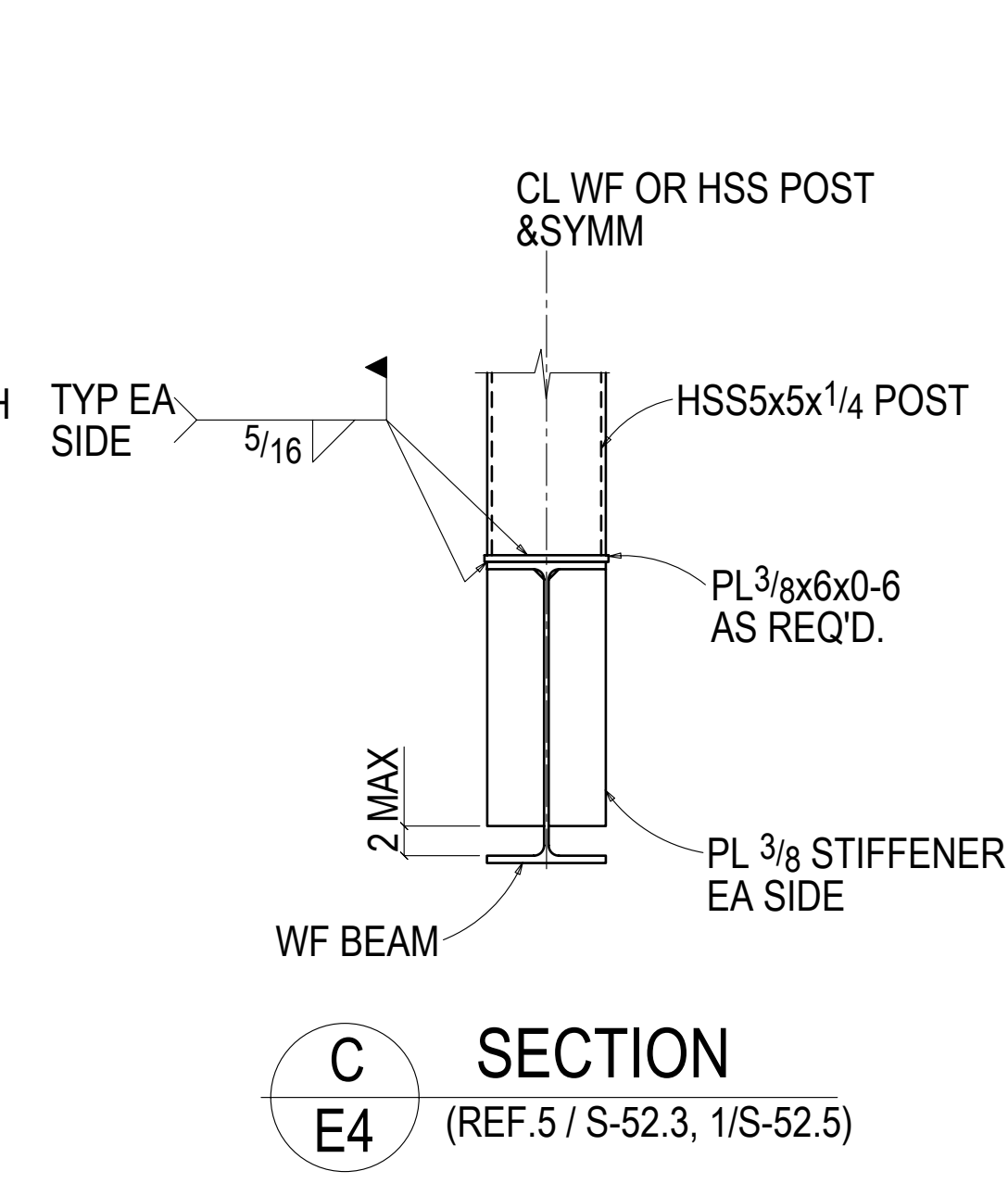
E SECTION
E4 (REF.10 / S-52.4)



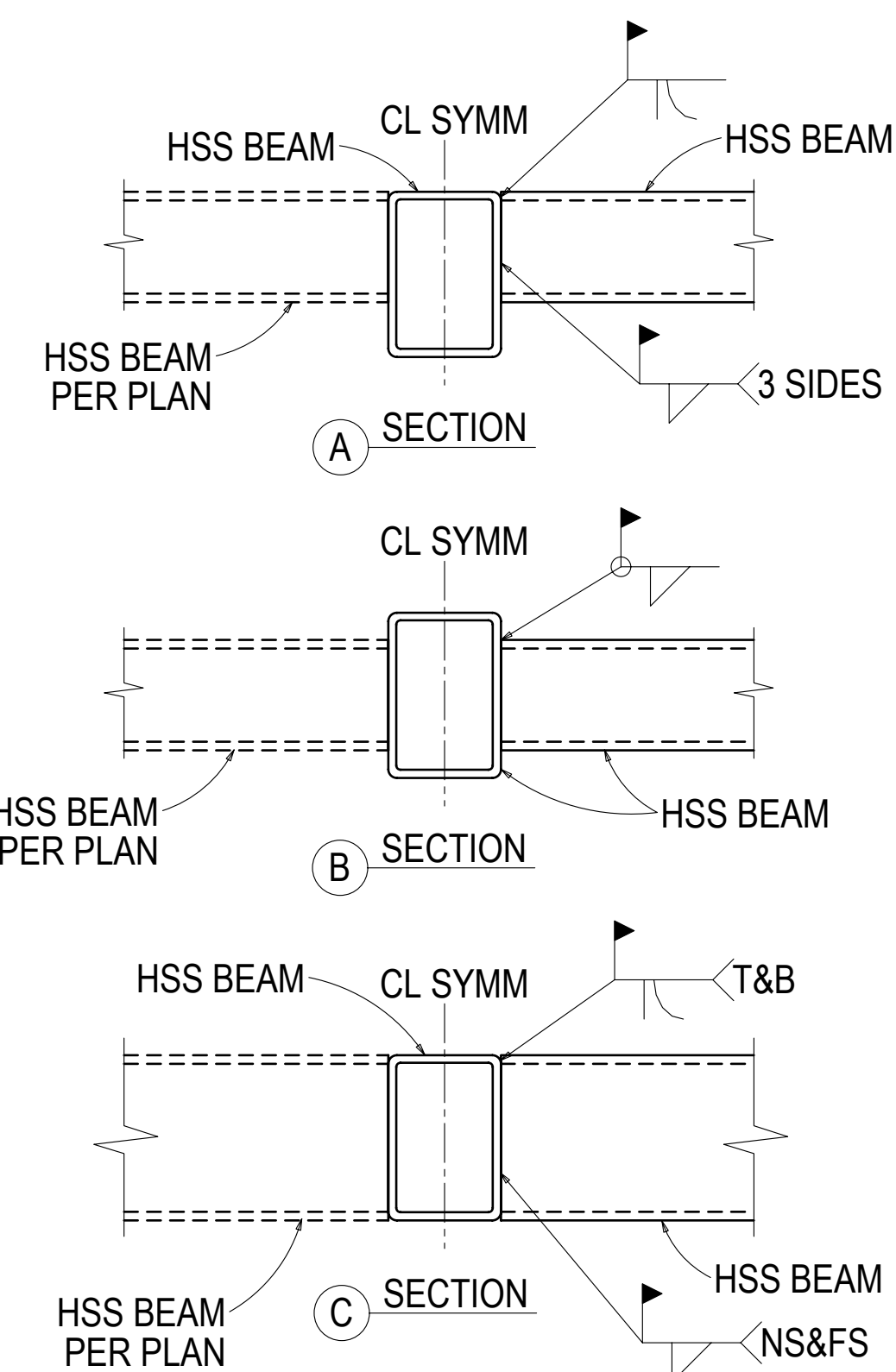
B SECTION
E4 (REF.7 / S-52.3)



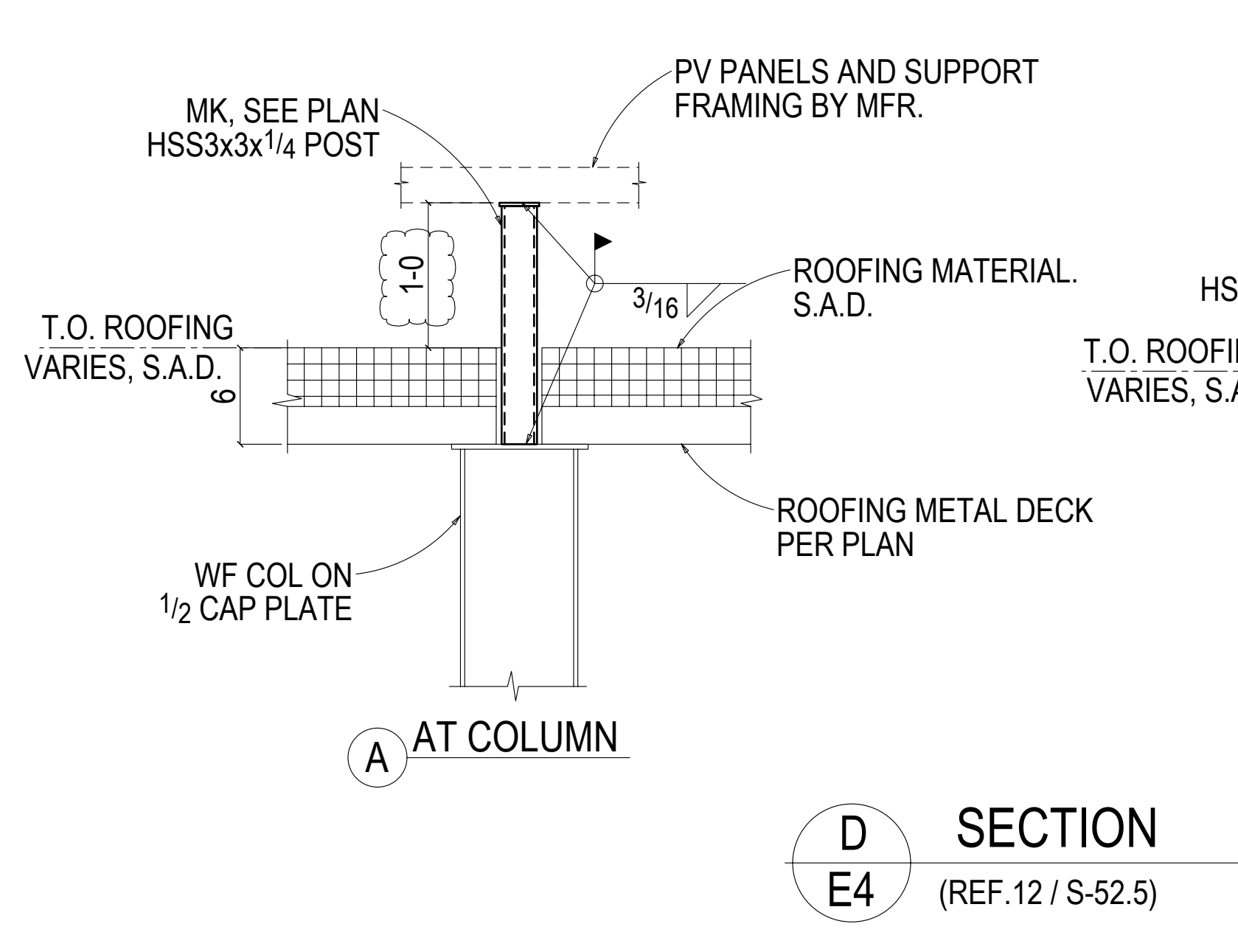
F SECTION
E4 (REF.6/S-52.2)



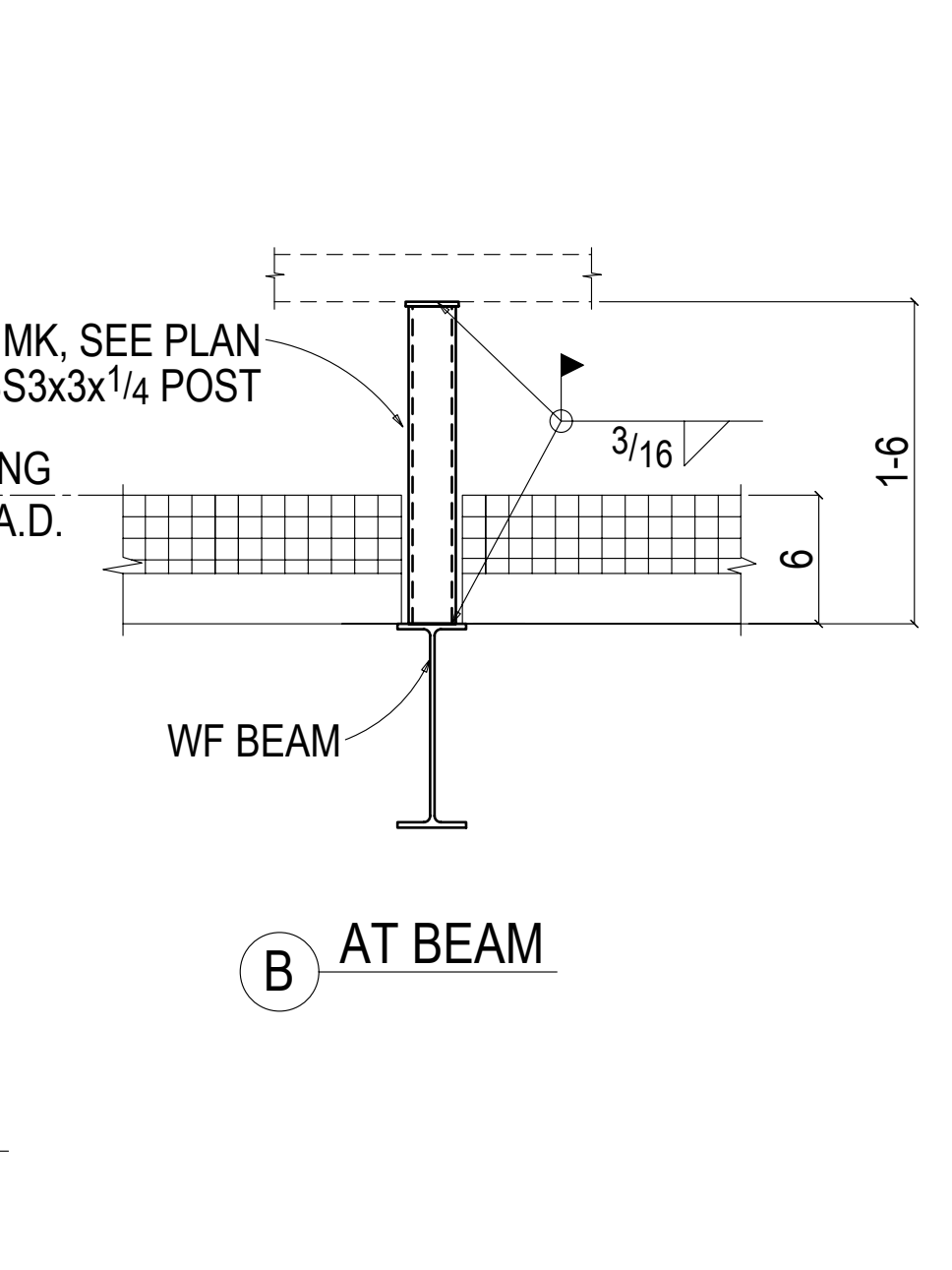
C SECTION
E4 (REF.5 / S-52.3, 1/S-52.5)



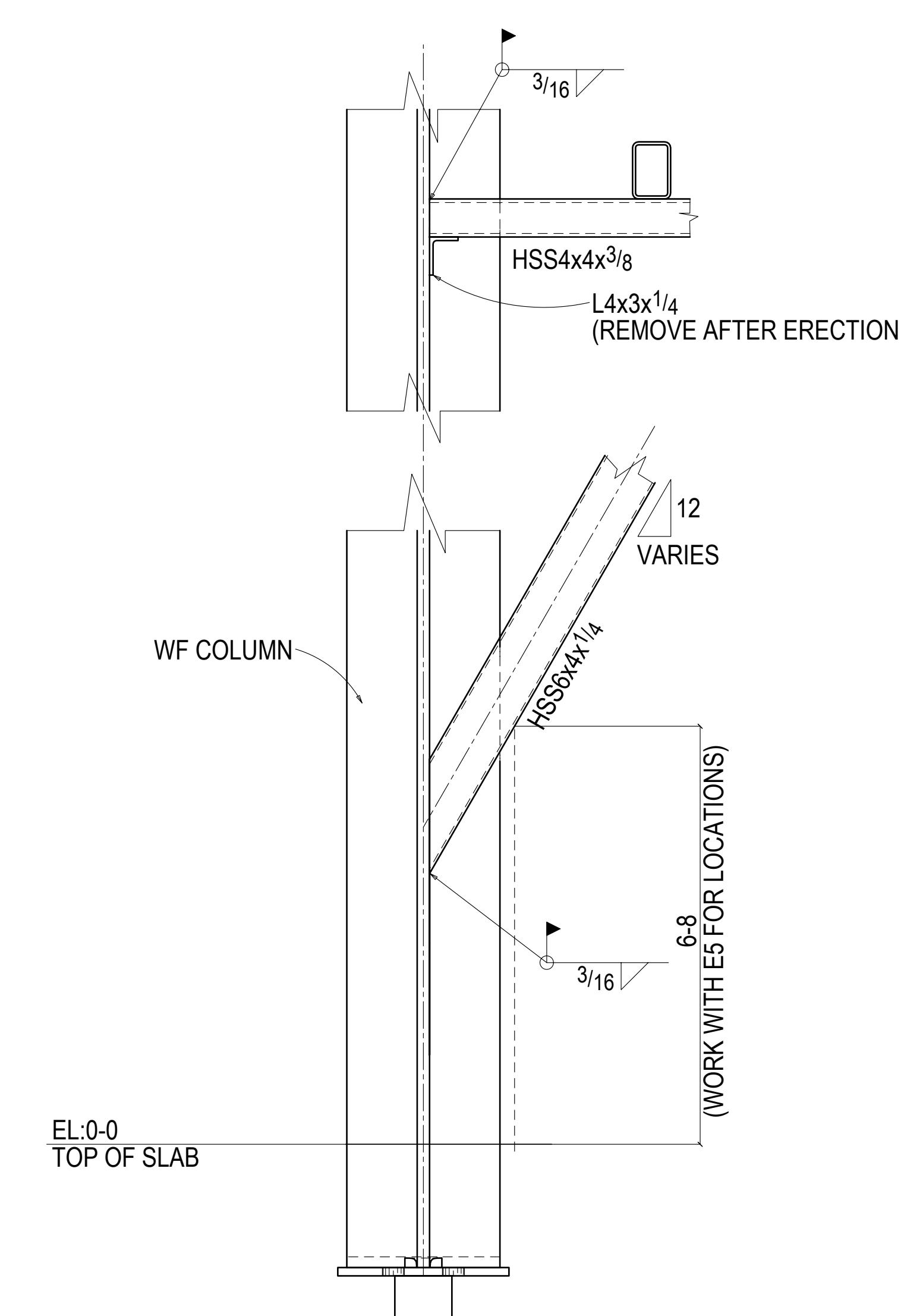
H SECTION
E4 (REF.8 / S-52.3)



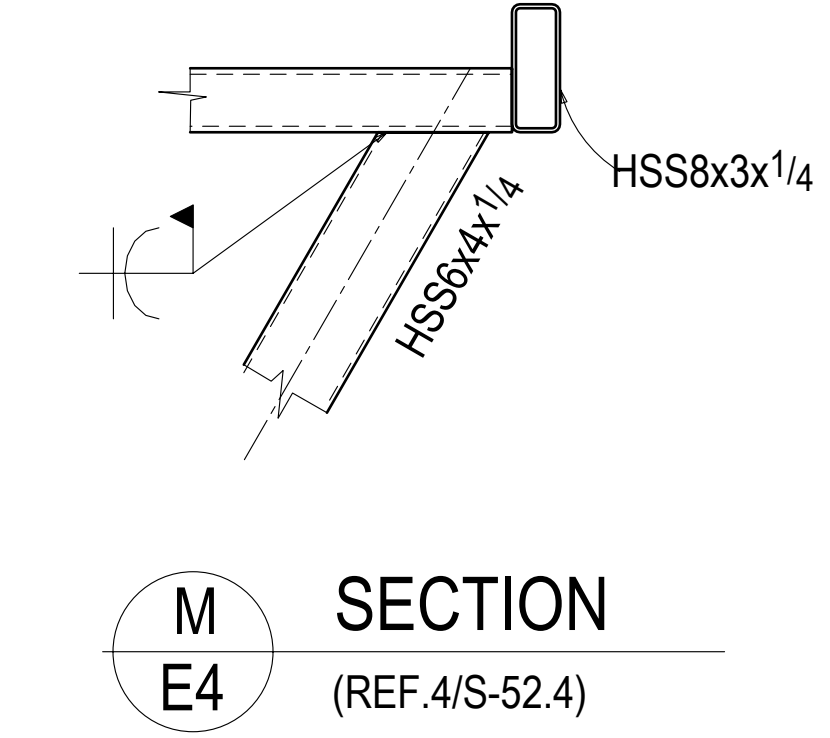
D SECTION
E4 (REF.12 / S-52.5)



B SECTION
E4 (REF.12 / S-52.5)



K SECTION
E4 (REF.7/S-52.4)



M SECTION
E4 (REF.4/S-52.4)



PROJECT:	QUARTZ HILL PUBLIC LIBRARY		
LOCATION:	QUARTZ HILL, CA 93536		
DESCRIPTION:	FIELD SECTIONS		
ARCHT:	SVA	CONTRACTOR	GRIFFIN/SWINERTON
ENG.:	T. ALBER CHEN (THORNTON TOMASETTI, INC)		
JOB NO.	1524	SHEET NO.	E4
		DATE:	07-02-15
		BY:	LC