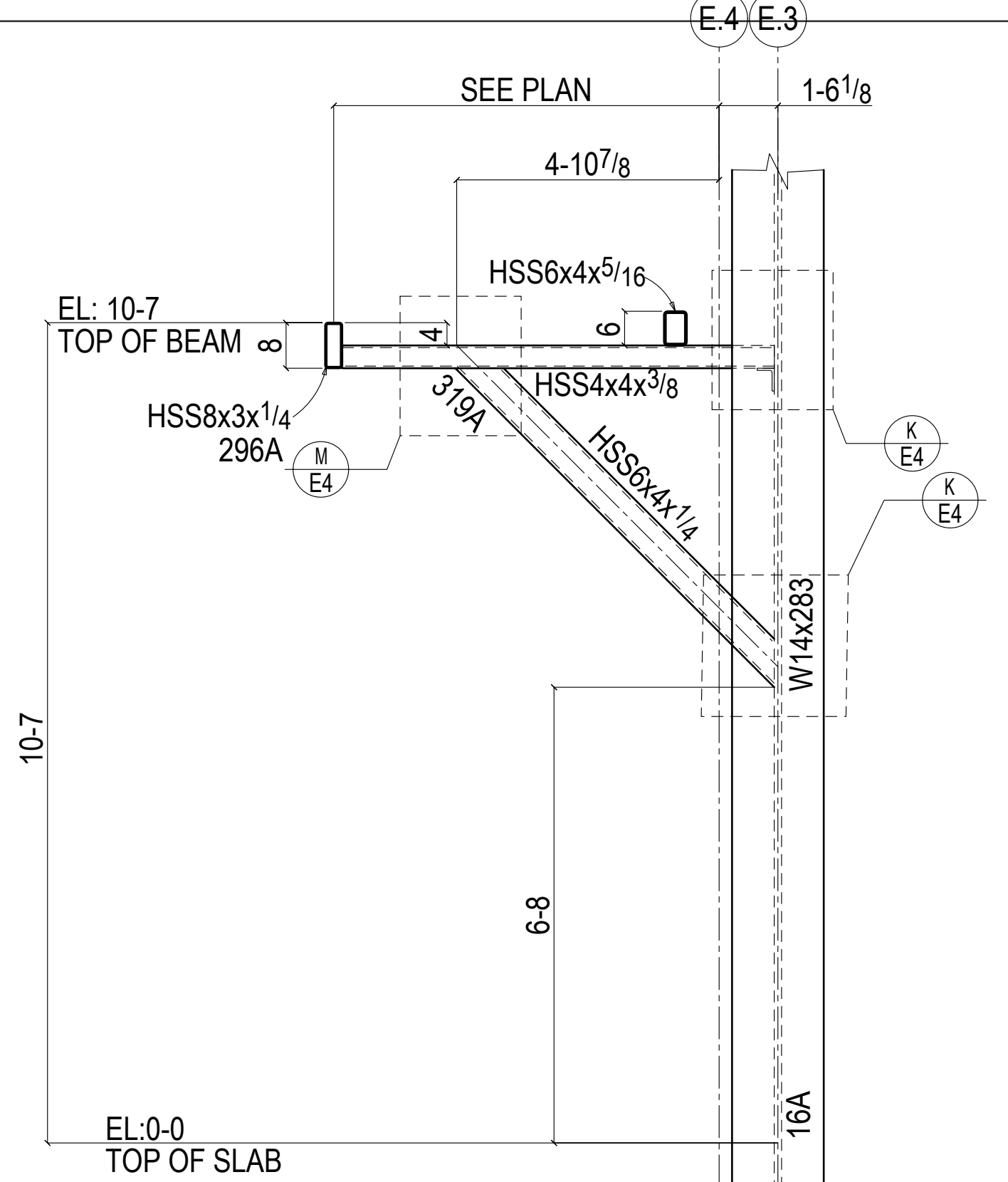
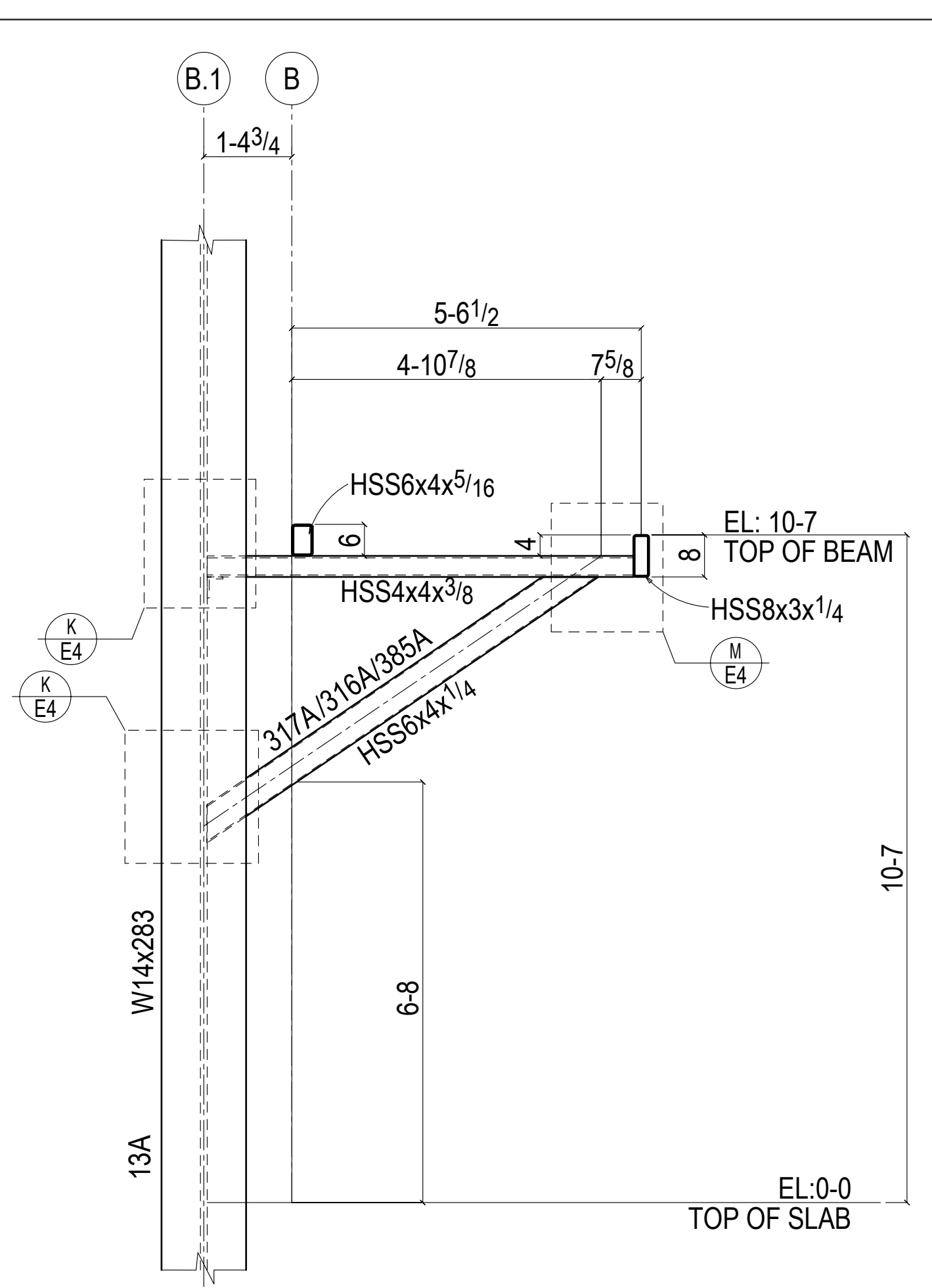


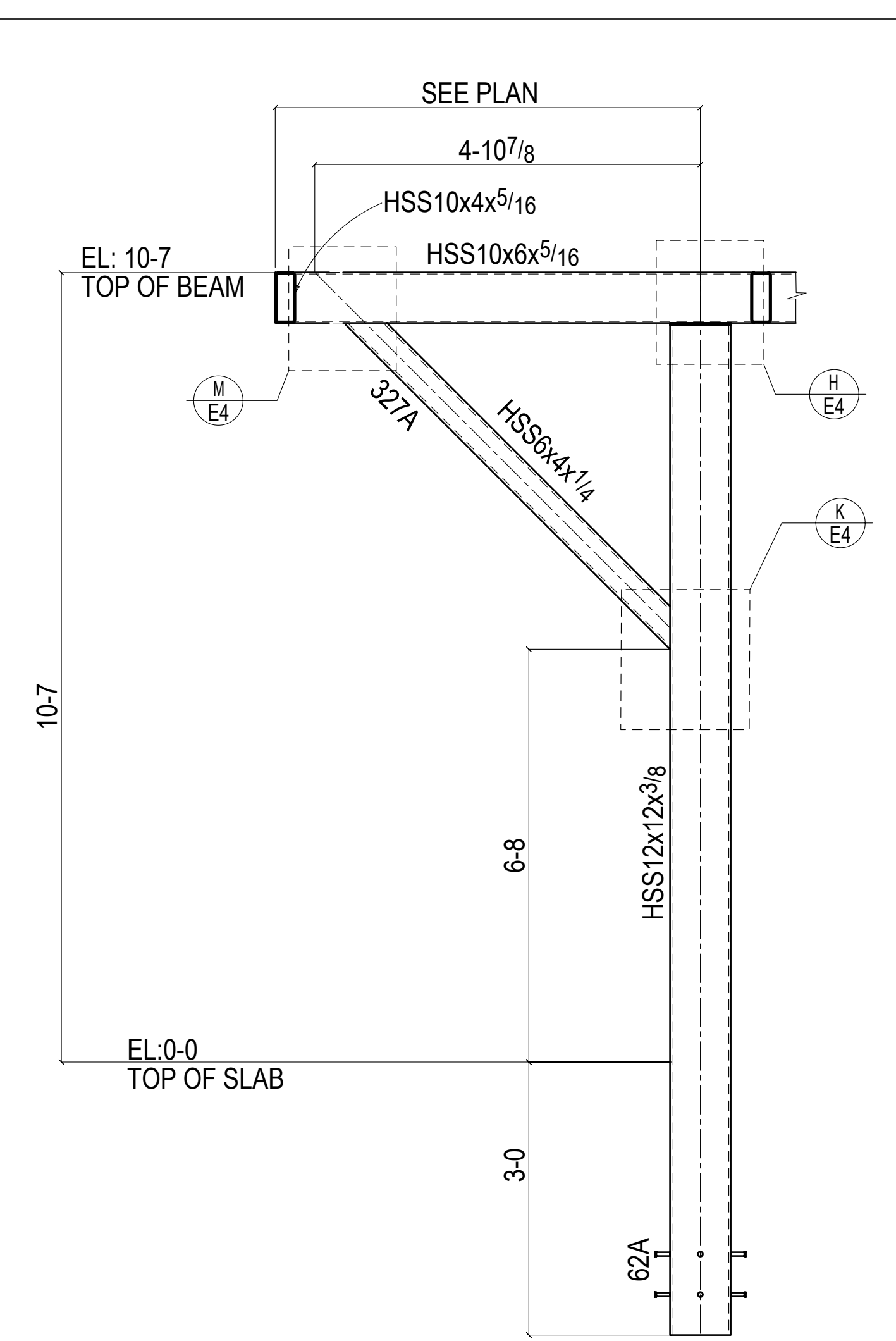
**A** FRAME ELEVATION  
E5 (REF. 8/S-52.4)



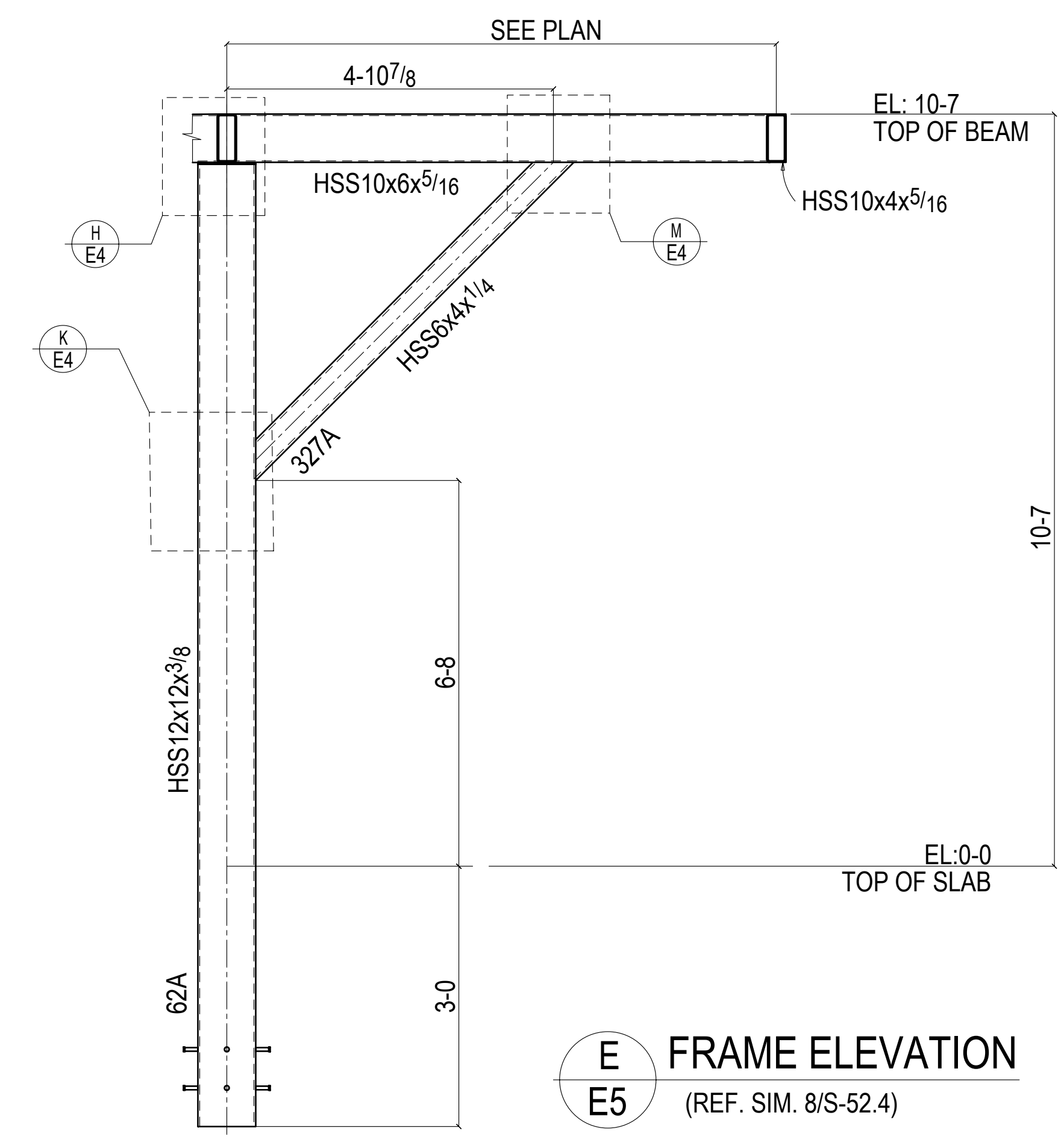
**B** FRAME ELEVATION  
E5 (REF. 8/S-52.4)



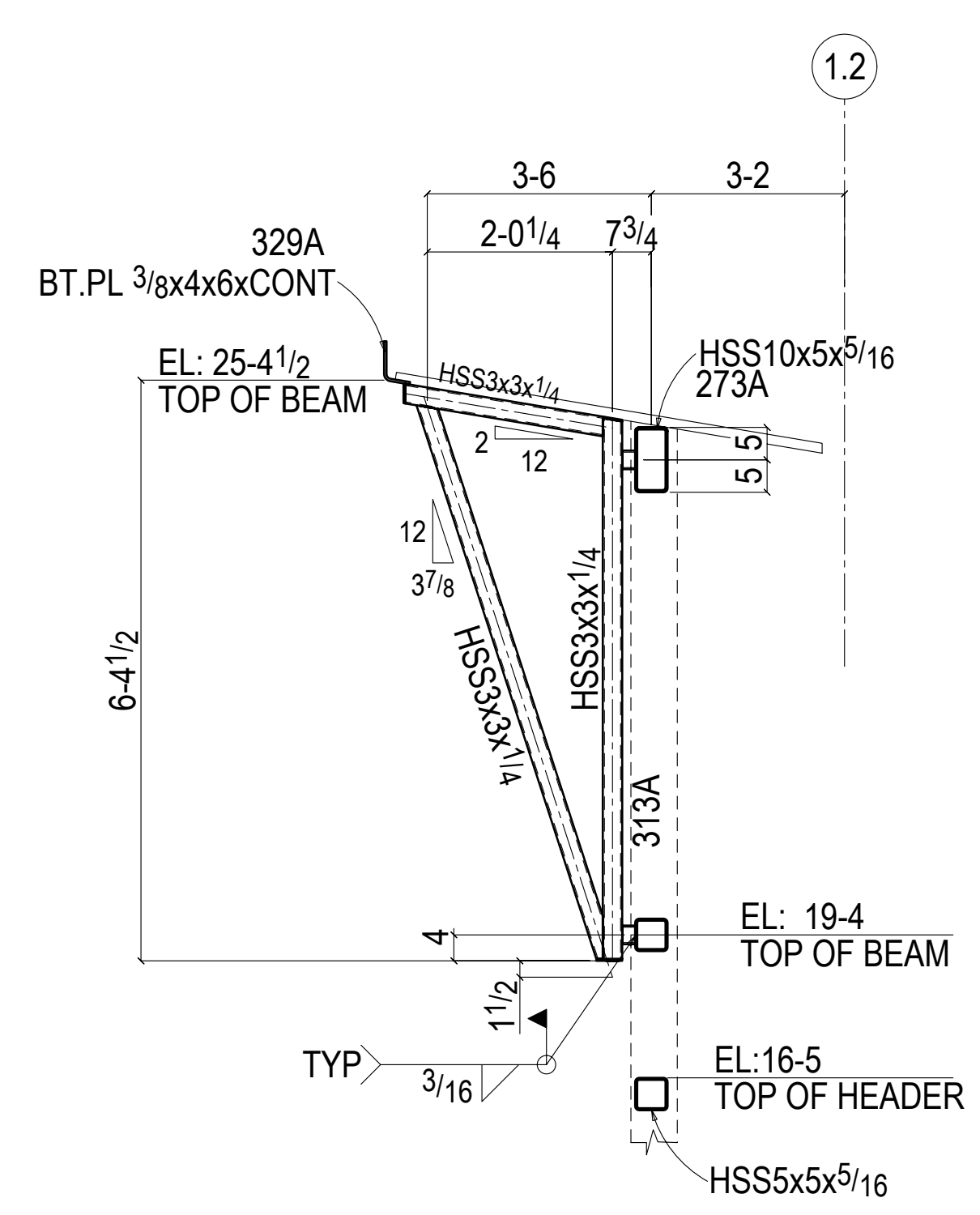
**C** FRAME ELEVATION  
E5 (REF. 8/S-52.4)



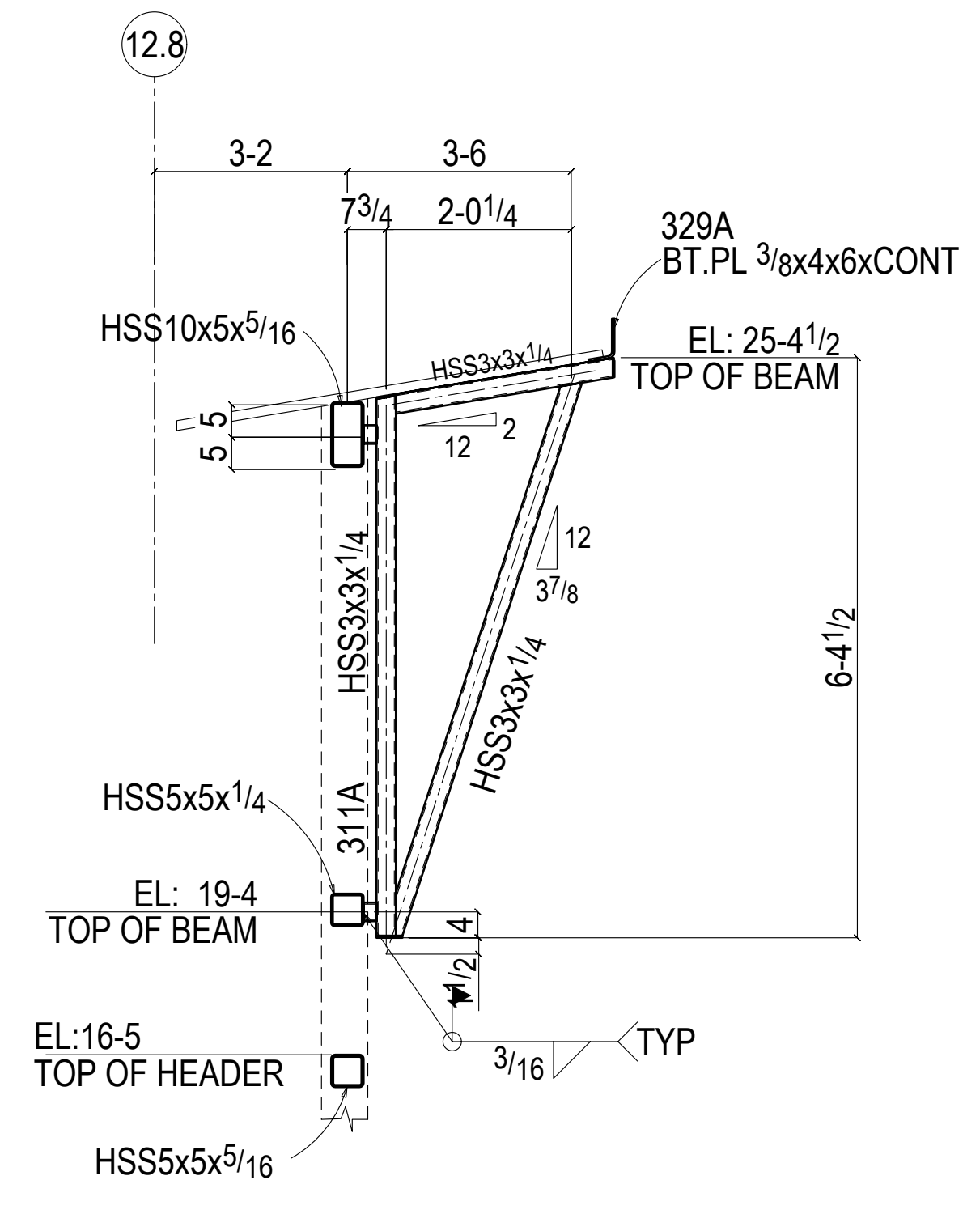
**D** FRAME ELEVATION  
E5 (REF. SIM. 8/S-52.4)



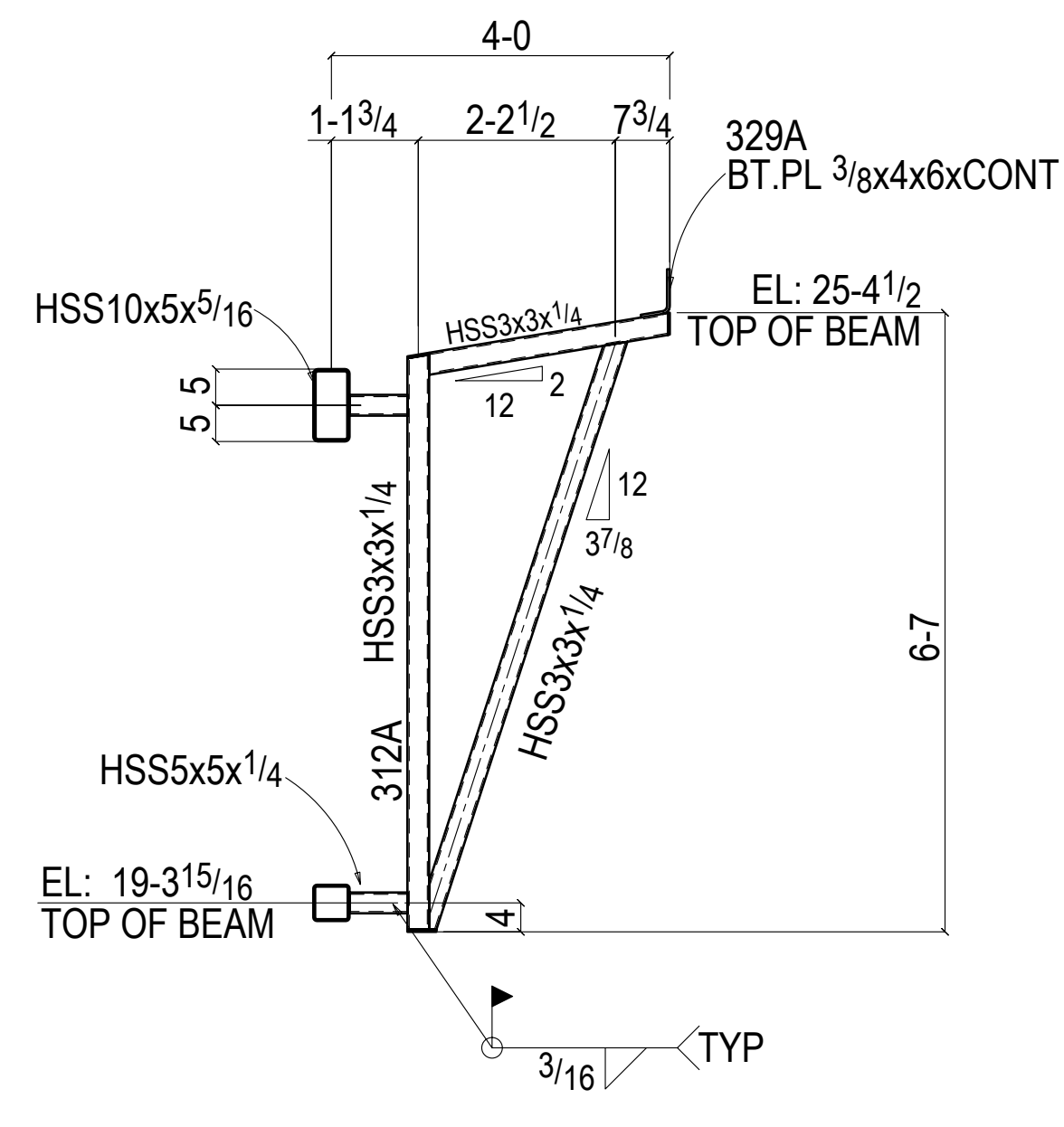
**E** FRAME ELEVATION  
E5 (REF. SIM. 8/S-52.4)



**F** FRAME ELEVATION  
E5 (REF. 10/S-52.5)



**H** FRAME ELEVATION  
E5 (REF. 10/S-52.5)



**K** FRAME ELEVATION  
E5 (REF. 10/S-52.5)



PROJECT:	QUARTZ HILL PUBLIC LIBRARY		
LOCATION:	QUARTZ HILL, CA 93536		
DESCRIPTION:	ROOF FRAMING PLAN		
ARCHT:	SVA	CONTRACTOR	GRIFFIN/SWINERTON
ENG.:	T. ALBER CHEN (THORNTON TOMASETTI, INC)		
JOB NO.	1524	SHEET NO.	E5
		DATE:	07-02-15
		BY:	LC